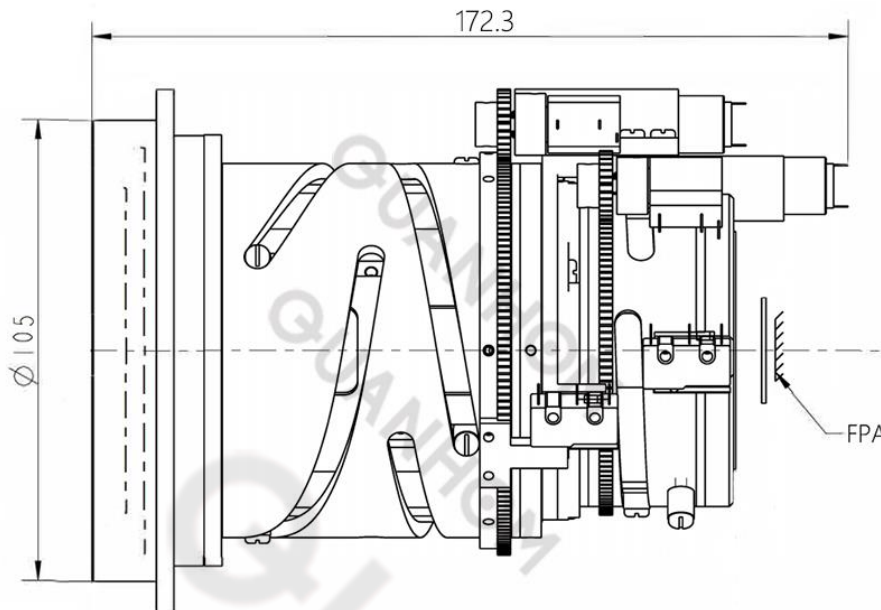


GCZ425114ZFD 25-100mm f/0.84-1.14 Continuous Zoom Infrared Lens



HFOV	160x120	320x240	336x256	384x288	640x480	640x512
17μm	6.2°-1.6°	12.4°-3.1°	13°-3.3°	14.9°-3.7°	24.6°-6.2°	24.6°-6.2°
12μm	4.4°-1.1°	8.8°-2.2°	9.2°-2.3°	10.5°-2.6°	17.5°-4.4°	17.5°-4.4°

Optical

Focal Length	25-100mm
F/#	0.84-1.14
Wavelength	8-12μm
Focus Range	10m-Infinity

Mechanical

Interface	Flange
Focus Mechanism	Motorized
Dimensions (mm)	Ø105x172.3 (Front flange Ø119)
Weight	≤1450g

Electrical & Communications

Power Input	DC 12V Average
-------------	----------------

Environmental

Operating Temperature	-40°C to +60°C
Storage Temperature	-50°C to +70°C
Front Element Sealing	IP67
External Coating	DLC

Specifications are subject to change without notice.